

DATASHEET

Multi-Band 3/4dBi Omni Dual MIMO antenna A2503S6-O

The A2503S6-O 2.4/5 GHz multiple-input and multiple-output (MIMO) omnidirectional antenna is designed to be operated with 802.11n ProSoft RadioLinx radios. The antenna features six integrated 2.4 and 5 GHz dual-band omni antennas in one enclosure, making it an ideal antenna to support demanding applications in next generation IEEE 802.11n indoor wireless communication systems.



Features	Benefits
MIMO (Multi Input, Multi Output)	<ul style="list-style-type: none"> ◆ Six antennas within a single enclosure ◆ Send more data simultaneously, or ◆ Improve the ability of the radio to receive weak signals, therefore giving better range
Multi-Band	<ul style="list-style-type: none"> ◆ Separate 2.4 and 5 GHz antennas for single or dual radio operation ◆ Maximizes 802.11n throughput through channel bonding using multiple frequency ranges ◆ Allows 802.11n radio to determine optimal rate to use based on environmental conditions and endpoint capabilities
Omnidirectional	<ul style="list-style-type: none"> ◆ Link multiple directional antennas in outdoor point-to-multipoint communication systems ◆ Cover large areas efficiently with 360-degree signal pattern ◆ Signal available to all radios within range
Backed by ProSoft Technology®	<ul style="list-style-type: none"> ◆ 20-year history of delivering high-quality, reliable solutions designed with you in mind ◆ Free, unlimited, worldwide Technical Support by phone anytime for pre-sale, set-up, or troubleshooting support help you get going sooner and stay running longer ◆ Three-Year Warranty ensures reliability and protects against equipment failures ◆ Free ProSoft Software tools tightly integrated with our gateway hardware...a simple and quick, total solution to help you make our gateways fit your applications ◆ Indoor/outdoor radio network design assistance – accessory selection, path studies, and site survey

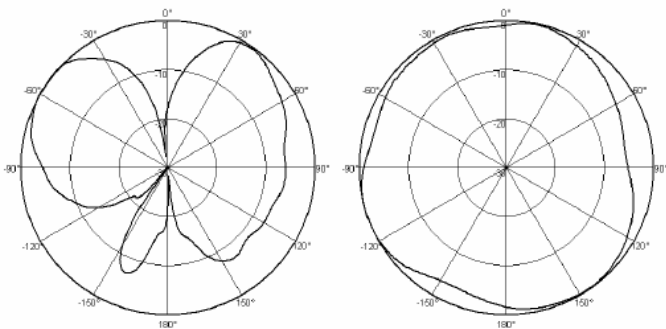
Compatibility

All antennas have been tested for compatibility with RadioLinx products. Please see the ProSoft Wireless Designer (PWD) configuration tool to assist you in choosing the best antenna for your application.

Specifications

Frequency Range	2400 ~ 2483 / 5150 ~ 5850 MHz
Bandwidth	83 / 700 MHz
Gain	2.5 / 4 dBi
Vertical Beamwidth	55° / 60°
Horizontal Beamwidth	360°
Nominal Impedance	50 Ohms
Polarization	Vertical
Max Power	50 Watts
Connector	RPSMA Plug
Pigtail Length	24"
Dimensions	7.1" x 5.1" x 1.9" (18x13x5cm)
Weight	0.68 lbs
Operating Temperature Range	-22°F to +158°F
Mounting Style	Mast, Surface or Ceiling

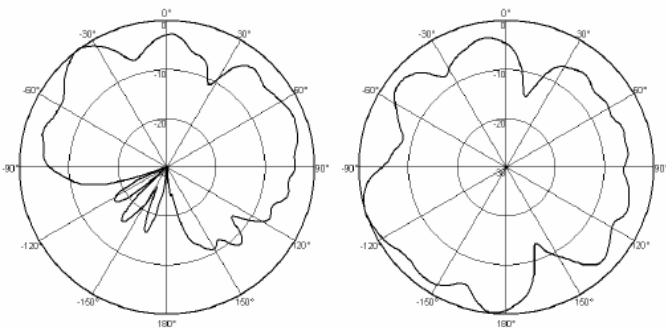
Patterns



E-Plane Pattern

H-Plane Pattern

2.4 GHz

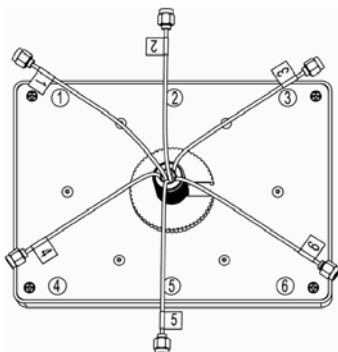


E-Plane Pattern

H-Plane Pattern

5 GHz

Mounting Information



Additional Products

ProSoft Technology® offers a full complement of hardware and software solutions for a wide variety of industrial communication platforms.

For a complete list of products, visit our web site at:
www.prosoft-technology.com

Ordering Information

To order this product, please use the following:

Multi-Band 3/4dBi Omni Dual MIMO antenna

A2503S6-O

To place an order, please contact your local ProSoft Technology distributor. For a list of ProSoft Technology distributors near you, go to:
www.prosoft-technology.com
 and select Distributors from the menu.

Place your order by email or fax to:

North American / Latin American / Asia Pacific
orders@prosoft-technology.com
 fax to +1 661.716.5101

Europe / Middle East / Africa
europe@prosoft-technology.com
 fax to +33 (0) 5.61.78.40.52

Copyright © 2010 ProSoft Technology, Inc., all rights reserved. February 22, 2010

Specifications subject to change without notice.