

## DH485 Router A-DH485R/B

The A-DH485R/B DH485 Router provides intelligent data routing between EtherNet/IP™ and DH485, simplifying the migration from MicroLogix and SLC systems with DH485 communications to EtherNet/IP based ControlLogix or CompactLogix platforms.

The module can be used for remote programming of a SLC5/03 controller via Ethernet.

The DH485 Router's AIC Mode provides direct conversion between RS485 and RS232, an ideal replacement for Rockwell's 1761-NET-AIC module.

Alternatively, the module makes use of the DH485 destination Node Address, (and Data File address in certain modes), to determine the target Logix controller. The mapping table, which can be configured in minutes, supports connections up to 8 Logix controllers.

In Transparent PCCC mode, the user will be able to program and connect to SLC5/03 PLCs.

The module can operate in both Logix "owned" and standalone mode.

With a Logix connection, the input and output assemblies will provide additional diagnostics information in the Logix controller environment.

The module's RS485 port uses a terminal block for convenient installation.

A built-in webserver provides detailed diagnostics of system configuration and operation, including the display of received DH485 communication packets, without the need for any additional software.

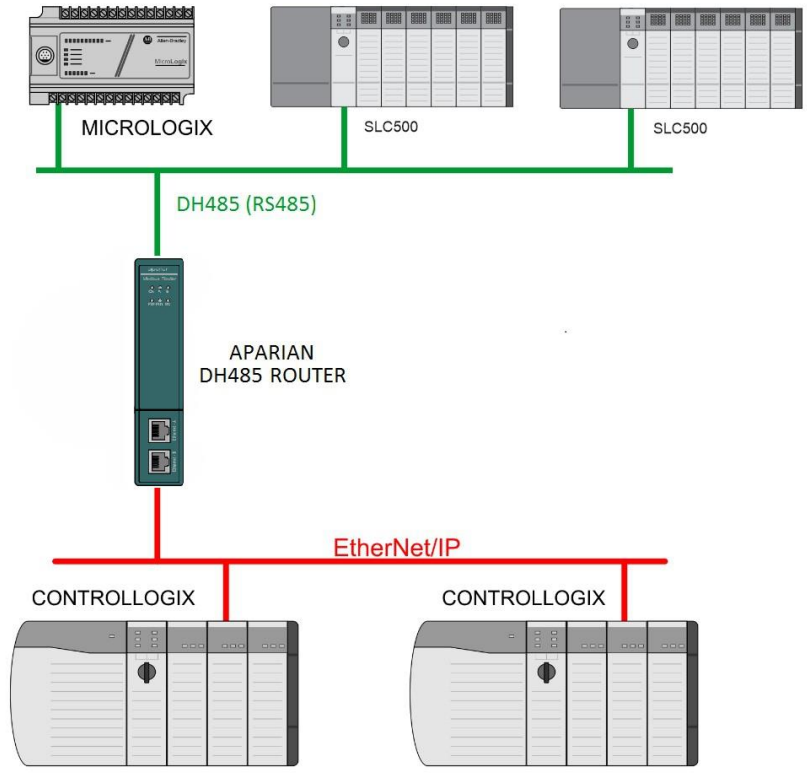


### Features

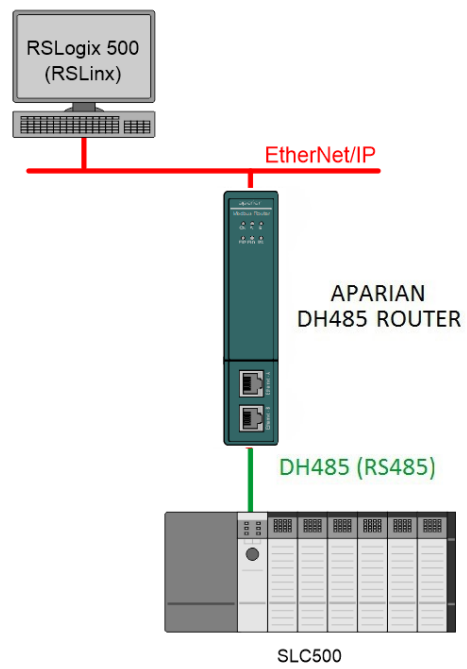
- ❖ 1761-NET-AIC replacement
- ❖ Direct-To-Tag technology for Logix Controllers
- ❖ Isolated serial ports
- ❖ Support for Device Level Ring (DLR) or use as two-port embedded switch
- ❖ Intelligent routing to Logix/SLC/MicroLogix
- ❖ Support for Reactive tag mapping (Slave) and Scheduled tag mapping (Master)
- ❖ Supports PLC5/SLC mapping
- ❖ Support for Logix programming over Ethernet for Serial interfaces (SLC/MicroLogix)
- ❖ Interfacing of PanelView Plus and PV800 from Ethernet to Serial

### Configuration

- ❖ The Slate Configuration Utility software is used for configuration and troubleshooting of the module. The stand-alone configuration utility allows users to define the setup and configuration of the module, and connections with controllers and devices.
- ❖ The configuration utility can be downloaded from [www.prosoft-technology.com](http://www.prosoft-technology.com)



**Figure 1 – Example of a typical network in Scheduled/Unscheduled Mode**



**Figure 2 – Programming LSC5/03 via the DH485 module**

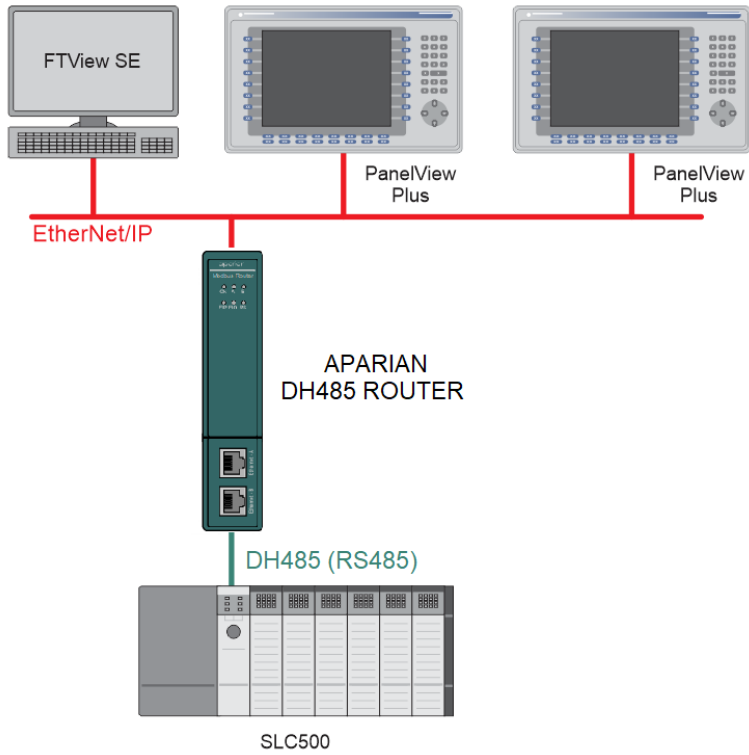


Figure 3 – Connect EtherNet/IP PanelView to SLC500 Controller

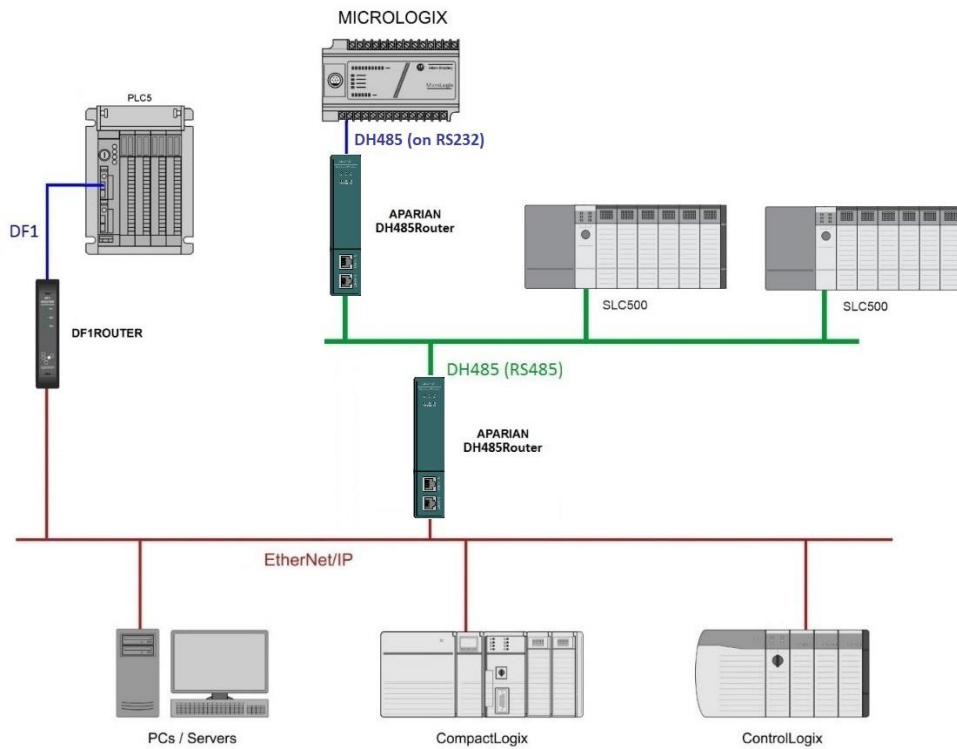


Figure 4 – Example DH485 Network using A-DH485R/B Router

## Specifications

### EtherNet/IP Network

Specification	Rating
Connector	RJ45
Conductors	CAT5 STP/UTP
ARP Connections	Max 40
TCP Connections	Max 40
CIP Connections	Max 10
Communication Rate	10/100 Mbps
Duplex Mode	Full/Half
Auto-MDIX Support	Yes
Embedded Switch	Yes, 2x Ethernet ports

### Serial Ports (RS232, RS485)

Specification	Rating
Connector	9-way terminal (shared)
Conductor	24 – 18 AWG
Electrical Isolation (RS232)	1000 V DC
Electrical Isolation (RS485)	1500 Vrms (1 minute)
Port Speed (bps)	1200, 2400, 4800, 9600, 19200, 38400, 57600 and 115200
Parity	None, Even, Odd
Data, Stop Bits	8, 1

### DH485 Router

Specification	Rating
Transparent Mode Mapping	20 (maximum)
Logix Tag Mode Mapping	20 (maximum)
Reactive/Scheduled Tag Mode Message Support	PLC-5 Type – Read, Write SLC Type – Read, Write
Rockwell Automation Controller programming Support	SLC5/03

### Hardware

Specification	Rating
Power Supply	Input: 10 to 32 VDC, (67 mA @ 24VDC)
Power Consumption	1.7W, 173mA maximum
Dimensions (H x W x D)	149.0 x 34.0 x 116.0 mm
Connector	3-way terminal
Conductors	24 to 18 AWG
Enclosure Rating	IP20, NEMA/UL Open Type
Temperature	-20 to 70 °C
Humidity	5 to 90% RH, non-condensing
Earth Connection	Yes, terminal based
Emissions	IEC 61000-6-4
ESD Immunity	EN 61000-4-2
Radiated RF Immunity	IEC 61000-4-3
EFT/B Immunity	IEC 61000-4-4
Surge Immunity	IEC 61000-4-5
Conducted RF Immunity	IEC 61000-4-6

## Agency Approvals & Certifications

Please visit our website: [www.prosoft-technology.com](http://www.prosoft-technology.com)



Where Automation  
Connects™

### Ordering Information

To order this product, please use the following:

### DH485 Router

A-DH485R/B

To place an order, please contact your local ProSoft Technology distributor. For a list of ProSoft Technology distributors near you, go to:

[www.prosoft-technology.com](http://www.prosoft-technology.com)  
and select *Where to Buy* from the menu.

Copyright © 2020 ProSoft Technology, Inc.  
All Rights Reserved. 9/16/2020

Specifications subject to change without notice.