

DATASHEET

CAN Bus Router/B A-CANBR/B

The A-CANBR/B CAN Bus Router provides intelligent data routing between either EtherNet/IP™ or Modbus® TCP/RTU and a CAN Bus network. This allows the user to integrate CAN Bus devices into a Rockwell Automation Logix platform (e.g., ControlLogix® or CompactLogix™) or any Modbus Client or Server device with minimal effort.

The A-CANBR/B also provides a range of statistics, CAN Bus and Modbus packet capture functions, and internal Modbus and Data table reads to simplify remote diagnosis. A built-in webserver provides detailed diagnostics of system configuration and operation, including the display of CAN Bus operation and communication statistics, without the need for any additional software.



Features

- ❖ Receive up to 100 pre-configured CAN Bus packets.
- ❖ Send up to 100 pre-configured CAN Bus packets.
- ❖ CAN Bus transmission can be scheduled (periodic), or externally triggered, sent on Start-up, or any combination.
- ❖ Logix L5X generation - Ready for import
- ❖ Supports Passthrough Messaging from Logix
- ❖ Module has various Primary Interfaces:
 - EtherNet/IP Target (Class 1 connection)
 - Modbus Server (TCP, RTU232, and RTU485)
 - Modbus Client (TCP, RTU232, and RTU485)
 - EtherNet/IP Originator (Class 1 connection with up to 10 EtherNet/IP devices and Explicit Messaging, including Direct-To-Tag Logix tag access, with up to 10 EtherNet/IP devices).
- ❖ Slate software provides a CAN Bus and Modbus packet capture utility for better diagnosis of communication issues.
- ❖ Supports common CAN Bus Baud Rates (10k, 20k, 50k, 125k, 250k, 500k, 800k, 1M)
- ❖ Dual Ethernet ports which support Device-Level-Ring (DLR).
- ❖ Network Time Protocol (NTP) supported for external time synchronization.
- ❖ Small form factor – DIN rail mounted
- ❖ The Slate Configuration Utility software is used for configuration and troubleshooting of the router. The stand-alone configuration utility allows users to define the setup and configuration of the J1939 router and its connections with controllers and devices. Download from www.prosoft-technology.com.

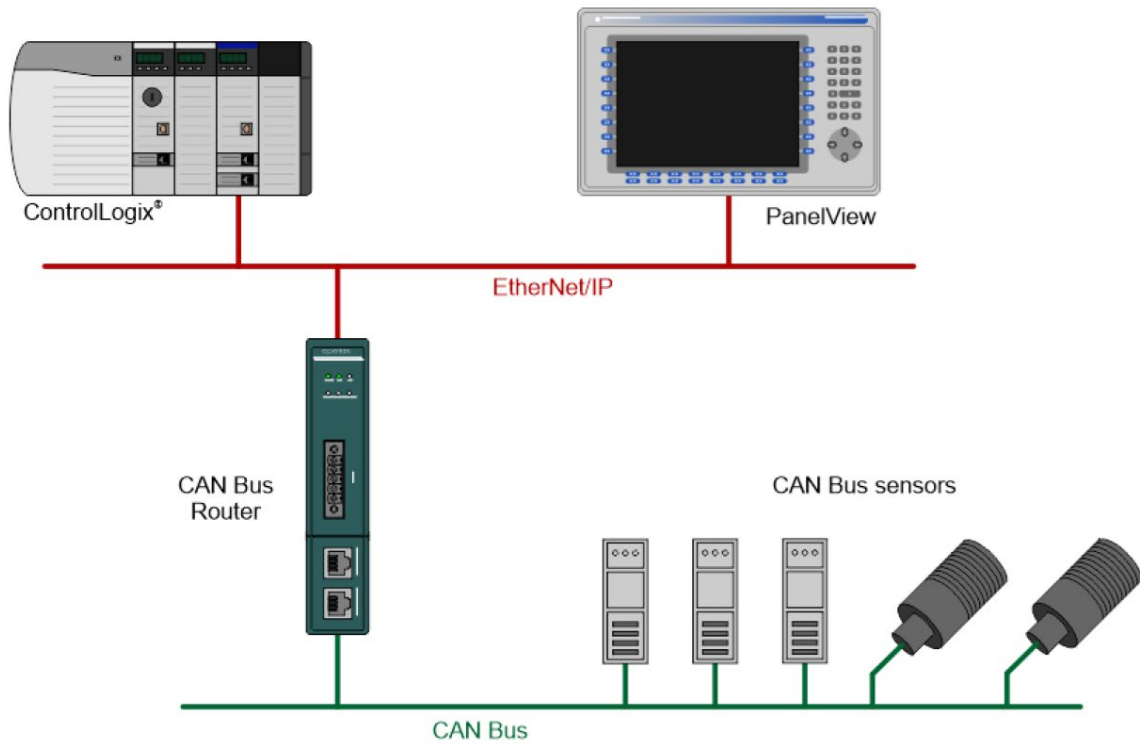


Figure 1 – Example of connecting CAN Bus sensors to a Logix Controller

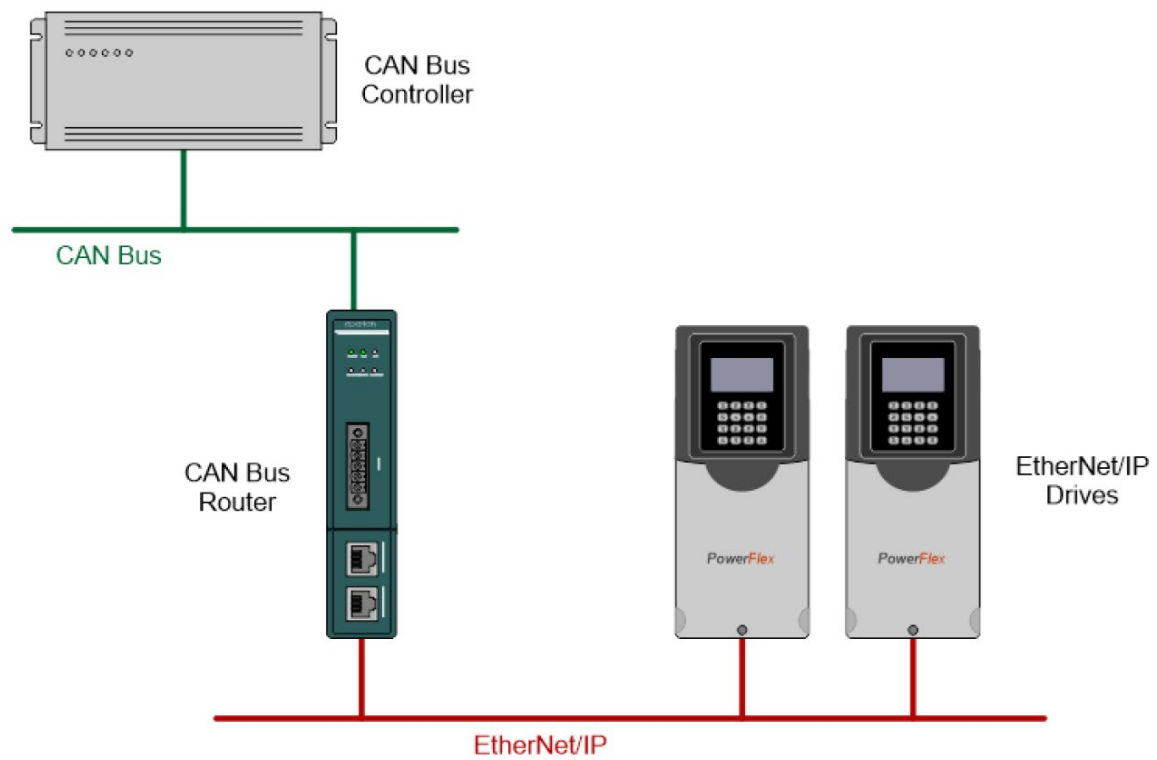


Figure 2 – Example of connecting EtherNet/IP drives to a CAN Bus network

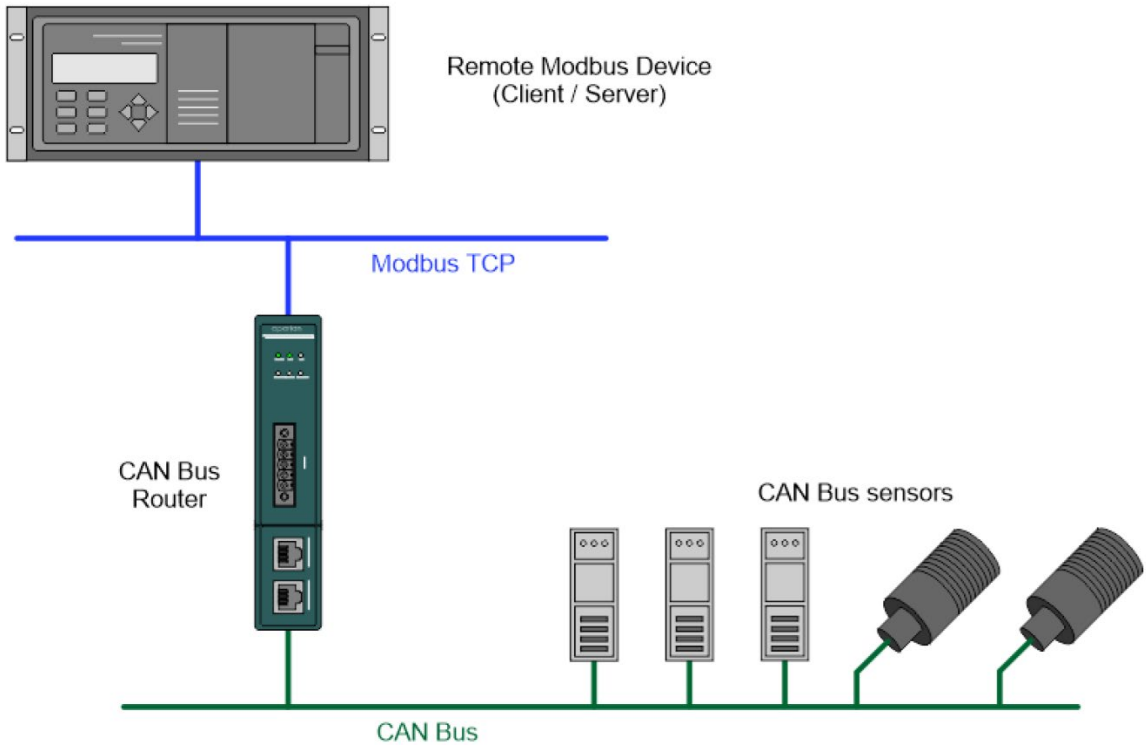


Figure 3 – Example of connecting CAN Bus devices to a Modbus TCP Client or Server

Specifications

Hardware

Specification	Rating
Power Supply	Input: 10 to 32 VDC
Power Consumption	2.2 W (Max.) Current: 180 mA @ 10 V Current: 85 mA @ 24 V
Dimensions (H x W x D)	149.0 x 34.0 x 116.0 mm (5.86 x 1.34 x 4.56 in)
Connector	3-way terminal
Conductors	24 to 18 AWG
Enclosure Rating	IP20, NEMA/UL Open Type
Temperature	-20°C to 70°C (-4°F to 158°F)
Humidity	0 to 95% RH, non-condensing
Earth Connection	Yes, terminal based
Emissions	IEC 61000-6-4
ESD Immunity	EN 61000-4-2
Radiated RF Immunity	IEC 61000-4-3
EFT/B Immunity	EFT: IEC 61000-4-4
Surge Immunity	Surge: IEC 61000-4-5
Conducted RF Immunity	IEC 61000-4-6

Ethernet Ports

Specification	Rating
Connector	RJ45
Conductors	CAT5 STP/UTP
ARP Connections	Max 100
TCP Connections	Max 100
CIP Connections	Max 15
Communication Rate	10/100 Mbps
Duplex Mode	Full / Half
Auto-MDIX Support	Yes
Embedded Switch	Yes, 2x Ethernet ports
Device Level Ring (DLR)	Supported
Network Time Protocol (NTP)	Supported

Serial Port (RS232)

Specification	Rating
RS232 Connector	9-way terminal (shared with RS485)
RS232 Conductor	24 to 18 AWG
Electrical Isolation	1000 VDC
Baud Rate	1200, 2400, 4800, 9600, 19200, 38400, 57600, 115200
Parity	None, Even, Odd
Data Bits	8
Stop Bits	1

Serial Port (RS485)

Specification	Rating
RS485 Connector	9-way terminal (shared with RS485)
RS485 Conductor	24 to 18 AWG
Electrical Isolation	1500 Vrms for 1 minute
Baud Rate	1200, 2400, 4800, 9600, 19200, 38400, 57600, 115200
Parity	None, Even, Odd
Data Bits	8
Stop Bits	1



Where Automation
Connects™

Global Distribution

ProSoft Technology® products are distributed and supported worldwide through a network of over 500 distributors in over 50 countries. Our knowledgeable distributors are familiar with your application needs. For a complete list of distributors, go to our website at:
www.prosoft-technology.com

Global Support

We are there for you

All ProSoft Technology products are backed with free technical support. Contact our worldwide Technical Support team directly by phone or email.

Global Offices

We are where you are

ProSoft Technology has regional offices worldwide available to help you with all your industrial application needs. If you need help choosing a ProSoft Technology solution for your particular application, check out our contact information under distributor sales on the website at:
www.prosoft-technology.com

Whether your application is large or small, our technical professionals are there to help you choose the right communication solution.

CAN BUS Network

Specification	Rating
Connector	5-way terminal, 5.08mm pitch.
Max CAN Receive Items	100
Max CAN Send Items	100
Passthrough Messaging	Supported
Supported Baud Rates	10k, 20k, 50k, 125k, 250k, 500k, 800k, 1M
CAN Terminator	120 Ω - Software Enabled

EtherNet/IP Target

Specification	Rating
Class 1 Cyclic connection count	4
Logix Direct-to-Tag Supported	Yes

EtherNet/IP Originator

Specification	Rating
Class 1 Cyclic Connections Supported	Yes
Class 3 / UCMM Connections Supported	Yes
Class 1 Connection Count	10
Class 3 / UCMM Target Device Count	10
Class 3 / UCMM Mapping Count	50

Modbus Client

Specification	Rating
Modes Supported	Modbus TCP, Modbus RTU232, Modbus RTU485
Modbus RTU485 Termination	125 Ω - Software Enabled
Max. Modbus Server Devices	20
Max. Modbus Mapping	100
Mapping Ranges	Holding Register 0 to 65535 Input Register 0 to 65535 Input Status 0 to 65535 Coil Status 0 to 65535
Base Offset	Modbus (Base 0) PLC (Base 1)
Configurable Modbus TCP Port	Yes
Data Reformatting Supported	BB AA BB AA DD CC CC DD AA BB DD CC BB AA

Modbus Server

Specification	Rating
Modes Supported	Modbus TCP, Modbus RTU232, Modbus RTU485 (simultaneous)
Modbus RTU485 Termination	Software set
Mapping Ranges	Holding Register 0 to 65535 Input Register 0 to 65535 Input Status 0 to 65535 Coil Status 0 to 65535
Base Offset	Modbus (Base 0) PLC (Base 1)
Configurable Modbus TCP Port	Yes

Agency Approvals & Certifications

Please visit our website: www.prosoft-technology.com



Where Automation
Connects™

Ordering Information

To order this product, please use the following:

CAN Bus Router/B

A-CANBR/B

To place an order, please contact your local ProSoft Technology distributor. For a list of ProSoft Technology distributors near you, go to: www.prosoft-technology.com and select *Where to Buy* from the menu.

Copyright © 2024 ProSoft Technology, Inc.
All Rights Reserved. December 18, 2024
For Public Use.

Specifications subject to change without notice.