

Where Automation Connects.



Manufacturing

SOLUTIONS

ProSoft Technology® specializes in communication interface modules for a multitude of protocols.

In an ongoing quest to help our customers reduce system costs and optimize their automation architecture, ProSoft Technology® constantly strives to achieve greater integration of all systems components.





Factory Supervision

Modbus® Serial & Ethernet

ProSoft Technology's Modbus® Modules are the fastest and easiest way to add Modbus® communications capability to your plant monitoring system.

- Available as in-chassis modules for Rockwell Automation® platforms or as a stand-alone gateway
- Serial: RTU and ASCII modes
- Independently configured ports operating as Master and/or Slave
- Ethernet: Multi Client & Multi Server

EtherNet/IP™

- Available as an in-chassis module for CompactLogix™ or as a stand-alone gateway

Control Solutions

PROFIBUS® DPV1 Master

- ProSoft Configuration Builder software for module setup, configuration, diagnostics and debugging
- Acyclic parameter data can be transferred with Class 1 or Class 2 DPV1, allowing online parameterization, alarming and extended diagnostics
- PROFIBUS® DP Master and slave interfaces are also available for most Rockwell Automation platforms or as stand-alone gateways

C/C++ Programmable Modules

The C/C++ programmable Linux Development Modules (LDM) provide an environment for the creation of custom applications, which cannot be accomplished easily within a PLC:

- data manipulation
- custom protocol development
- complex math calculations
- data storage

These modules are available for ControLogix® and CompactLogix™.

Device Control

ASCII

- Connectivity to serial (ASCII) RS-232, 485, 422 type devices: barcode scanners, weigh scales, text displays, RFID tags, etc
- 2 serial ports
- Read/write ASCII data
- Built-in data analyzer

Wireless Communication

In any manufacturing plant, connecting every piece of equipment across a plant, connecting to other departments and connecting the plant floor to the business-level systems is key to increase productivity and customer service by gathering information in real time.

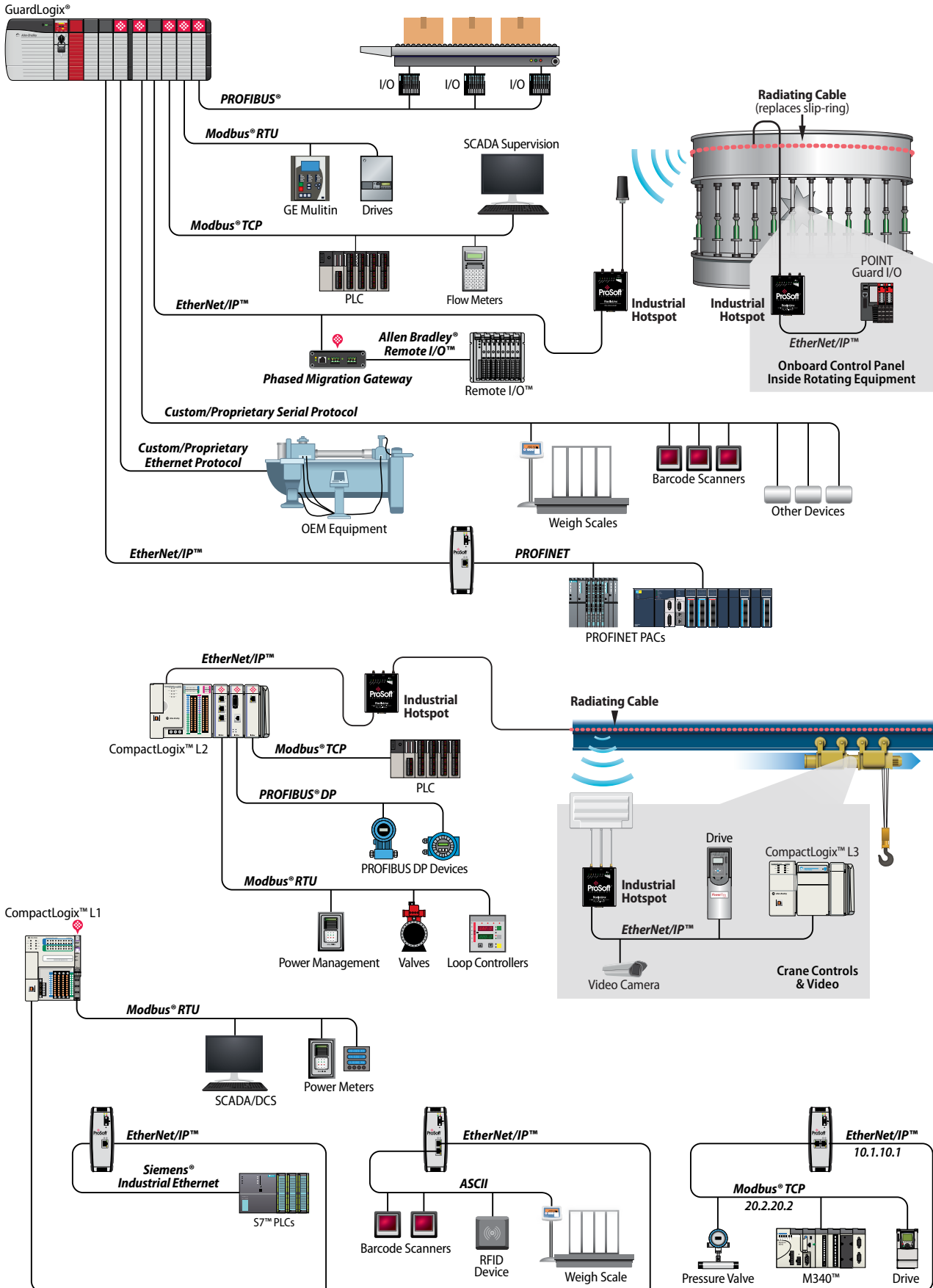
However, there are usually areas where running cable to provide the needed connectivity is not feasible, is prohibitively expensive, or is physically impossible. Wireless solutions can connect moving equipment including turntables, drums, conveyors, gantry cranes, stacker/reclaimers, or even automated guided vehicles.

ProSoft Technology's wireless solutions can help.

New Generation of Radios

- 2.4 & 5 GHz
- Fast roaming
- 802.11abgn industrial
- Up to 300 Mbps data rate
- 3G Cellular





Manufacturing SOLUTIONS

	Rockwell Automation® Controllers	Stand-Alone Gateways
ASCII	◆	◆
DF1	◆	◆
EtherNet/IP™		◆
Linux C/C++ Programmable Modules	◆	
Modbus®	◆	◆
Modbus® TCP/IP	◆	◆
PROFIBUS® DP	◆	◆
PROFINET®		◆
Siemens® Industrial Ethernet	◆	◆

	Device Connectivity	Frequency Band(s)	Radio Modes	Maximum Outdoor Range	Transmit Power
Wireless					
802.11n RLX2-IHNF	Serial/ Ethernet	2.4 & 5 GHz	Single access point, repeater & bridge	5 mi/8 km	Up to 50mW
802.11n RLX2-IHNF-W	Serial/ Ethernet	2.4 & 5 GHz	Watertight single access point, repeater & bridge	5 mi/8 km	Up to 50mW
802.11bg RLX2-IHG	Serial/ Ethernet	2.4 GHz	Single access point, repeater & bridge	20 mi/30 km	Up to 250mW
802.11a RLX2-IHA	Serial/ Ethernet	5 GHz	Single access point, repeater & bridge	5 mi/8 km	Up to 250mW
802.11abg RLX2-IHW	Serial/ Ethernet	2.4 & 5 GHz	Single access point, repeater & bridge	5 mi/8 km	Up to 50mW
Cellular ICX30-HWC	Serial/Ethernet	GSM/CDMA	Cellular gateway	N/A	N/A

Get the
ProSoft Technology®
Automation Advantage

Reliability

At ProSoft Technology® we don't just sell products. We sell tested, field-proven solutions. We provide products that are developed with end-users in mind. For more than 25 years, ProSoft Technology has been known for our high-quality, reliable solutions.

Technical Support Included

Our worldwide Technical Support team is available to assist you with pre-sales questions, setup, and support throughout the life-cycle of the product.

Wireless Network Design

Our wireless engineering team will be happy to assist you with the design of your wireless network including a complete bill of materials for your wireless application.

Europe/Middle East/Africa

France Regional Office

Phone: +33.(0)5.34.36.87.20
Fax: +33.(0)5.61.78.40.52
europe@prosoft-technology.com
Languages spoken: French, English

Middle East & Africa

Phone: +971.4.214.6911
mea@prosoft-technology.com
Languages spoken: Hindi, English

North Western Europe (UK, IE, IS, DK, NO, SE)

Phone: +44.(0)7415.864.902
nweurope@prosoft-technology.com
Language spoken: English

Central & Eastern Europe, Finland

Phone: +48.22.250.2546
centraleurope@prosoft-technology.com
Languages spoken: Polish, English

Russia & CIS

Phone: +7.499.704.53.46
russia@prosoft-technology.com
Languages spoken: Russian, English

Austria, Germany, Switzerland

Phone: +33.(0)5.34.36.87.20
germany@prosoft-technology.com
Languages spoken: English, German

Mediterranean Countries

Phone: +39.342.8651.595
italy@prosoft-technology.com
Languages spoken: Italian, English

Asia Pacific

Malaysia Regional Office

Phone: +603.7724.2080
Fax: +603.7724.2090
asiapc@prosoft-technology.com
Languages spoken: Chinese, Japanese, Korean, English

North Asia

(China, Hong Kong)
Phone: +86.21.5187.7337
Fax: +86.21.5109.6776
asiapc@prosoft-technology.com
Languages spoken: Chinese, English

Southwest Asia (India, Pakistan)

Phone: +91.98.1063.7873
india@prosoft-technology.com
Language spoken: English, Hindi

Latin America

Regional Office

Phone: +1.281.298.9109
Fax: +1.281.298.9336
latinam@prosoft-technology.com
Languages spoken: Spanish, English

Brazil

Phone: +55.11.5084.5178
brasil@prosoft-technology.com
Languages spoken: Portuguese, English

Mexico & Central America

Phone: +52.222.264.1814
mexico@prosoft-technology.com
Languages spoken: Spanish, English

North America

Corporate Office

Phone: +1.661.716.5100
Fax: +1.661.716.5101
support@prosoft-technology.com
Languages spoken: English, Spanish


ProSoft
TECHNOLOGY
www.prosoft-technology.com